

ROWASHER

SCIENCE LED CLEANING

THE BENCHTOP PARTS CLEANING SYSTEM



www.rozone.co.uk



ROZONE
INNOVATE • SUSTAIN • PERFORM

THE BENCHTOP ROWASHER

Designed for cleaning and degreasing small parts or if you're short of space.

- Solvent Free
- Heats to 40°C
- No vapours
- Flo-thru brush
- Low Fluid Indicator Light
- Can hold 50kg load
- 20L tank capacity
- Energy Saving Mode
- Inside Sink Dimensions: L57.2 x W20.3 x H67.3cm

Employing the innovative technology of bioremediation, the Benchtop ROWasher safeguards the health and safety of employees whilst dramatically lowering waste fluid

generation, reducing the expense of hazardous waste removal and bringing savings to the user.

KEY BENEFITS OF THE BENCHTOP

KEY BENEFITS

Solvent free

Non-flammable, non-hazardous degreasing fluid

Heated to 40°C, better cleaning, more pleasant to use

No monthly service contracts

Reduced waste disposal costs

Energy cost savings with inbuilt Eco-mode

ENVIRONMENTAL BENEFITS

Lower risk to the environment

No VOC emissions

No "Solvent Emissions Directive"

Improved carbon footprint

Assists compliance with latest legislation such as ISO14001

HEALTH & SAFETY BENEFITS

No risk to employees

Reduced PPE requirement

Non-toxic degreasing fluid

No vapours

Simplified CoSHH reporting

ENERGY SAVING MODE

A control display indicates when a top-up of ROWash fluid is required and allows the machine to be put into energy saving mode during periods when not in use (eg. weekends and holidays) – energy savings of more than 50% can be achieved when energy saving mode is activated.

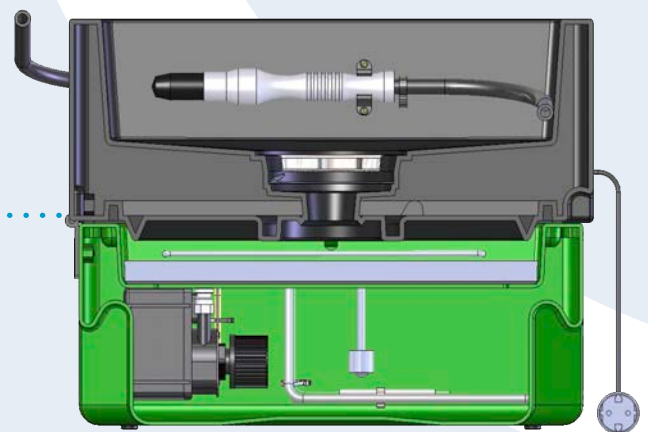
Simple to use and easy to maintain.

HOW THE BENCHTOP WORKS

1. Oil and grease are washed off the dirty part and flow through the Filter into the Benchtop tank.

2. The Filter is the KEY to the system – it not only traps particles down to 50 micron, it also contains millions of Rozone microbes.

3. Heated to 40°C, the microbes become active in the ROWash solution and eat the oil and grease turning them into CO² and water – effectively recycling the fluid.



For more information about the ROWasher or Rozone:

Visit: www.rozone.co.uk

Email: info@rozone.co.uk

Call: +44 (0) 121 526 8181

SCIENCE LED CLEANING

To ensure that our Benchtop ROwasher delivers the best cleaning performance possible, we have developed the fluid and the microbial

filter mat with our in-house scientists, formulation chemists and the microbiology team at the University of Wolverhampton.

CHOOSE THE ROWASH SOLUTION FOR THE MATERIAL YOU ARE CLEANING

ROwash Degreasing Solution is a pH neutral mix of emulsifiers and surfactants that has been specially formulated by our Scientists to produce a biodegradable, non-toxic, non-caustic and non-hazardous oil dispersant and degreaser. It contains no known carcinogens, has no flash point and releases no vapours or VOCs. A degreasing solution that is as powerful as solvent but without the hazards. It is designed to degrease oily parts quickly and effectively. The concentration of surfactant in the formula has been specially chosen by our in-house Scientists to make the contaminant particles (hydrocarbons) the smallest they can be, so the microbes can easily break them down. This ensures the fluid stays cleaner for longer.



CHOOSE THE MICROBIAL FILTER MAT TO MEET YOUR CLEANING DEMANDS

The ROwasher Microbial Filter Mat is the key component of the Benchtop ROwasher parts cleaning system. It is designed to deliver our microbes into the ROwasher system where they break down or “eat” oil and grease washed off dirty parts. The top white Filter Mat layer is designed to trap large particles up to 50 microns whilst the blue layer provides support for the microbes to breed and grow a microbial reservoir to be released into the Benchtop ROwasher. All are Bio-Safety Level 1 Microbes which are non-pathogenic or no risk to humans or animals.

The **ROWASHER MICROBIAL FILTER MAT** must be changed every month to keep the microbe colony healthy and maintain the cleaning performance of the Benchtop ROwasher.

STANDARD SINGLE LAYER FILTER

The Single Layer Filter has one white layer and one blue layer.

HEAVY USE MULTI-LAYER FILTER

The Multi-Layer Filter works in the same way introducing microbes into the ROwasher system but has four white layers on the mat to trap dirt and debris - designed to be peeled away once a week for optimum performance.



Pictures are for illustrative purposes only. Rozone reserves the right to change specifications at any time.

Did you know:

Each filter mat contains over 200,000,000 friendly oil eating microbes.



WHY ROZONE?

The demand for our range of bioremediating parts washers has developed significantly since we began in 1996 and we are proud to work with a wide range of customers including Defence, Aerospace, Automotive, Plant Hire, Cycle, Government and Municipal, Engineering and Manufacturing and many more. We've also built up a significant export business, resulting in our UK developed and manufactured technologies reaching a global audience.

For more information about the ROwasher or Rozone:

Visit: www.rozone.co.uk

Email: info@rozone.co.uk

Call: +44 (0) 121 526 8181